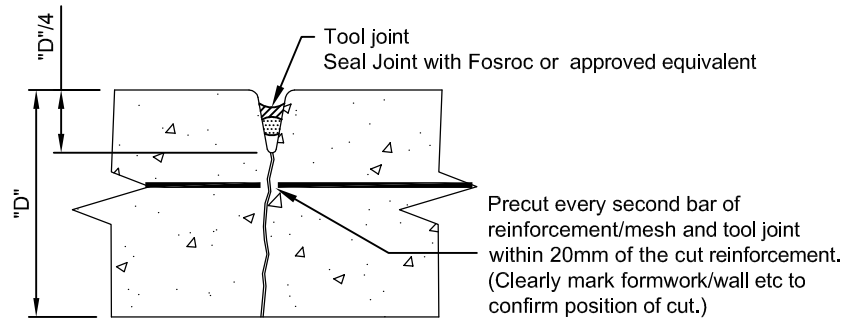
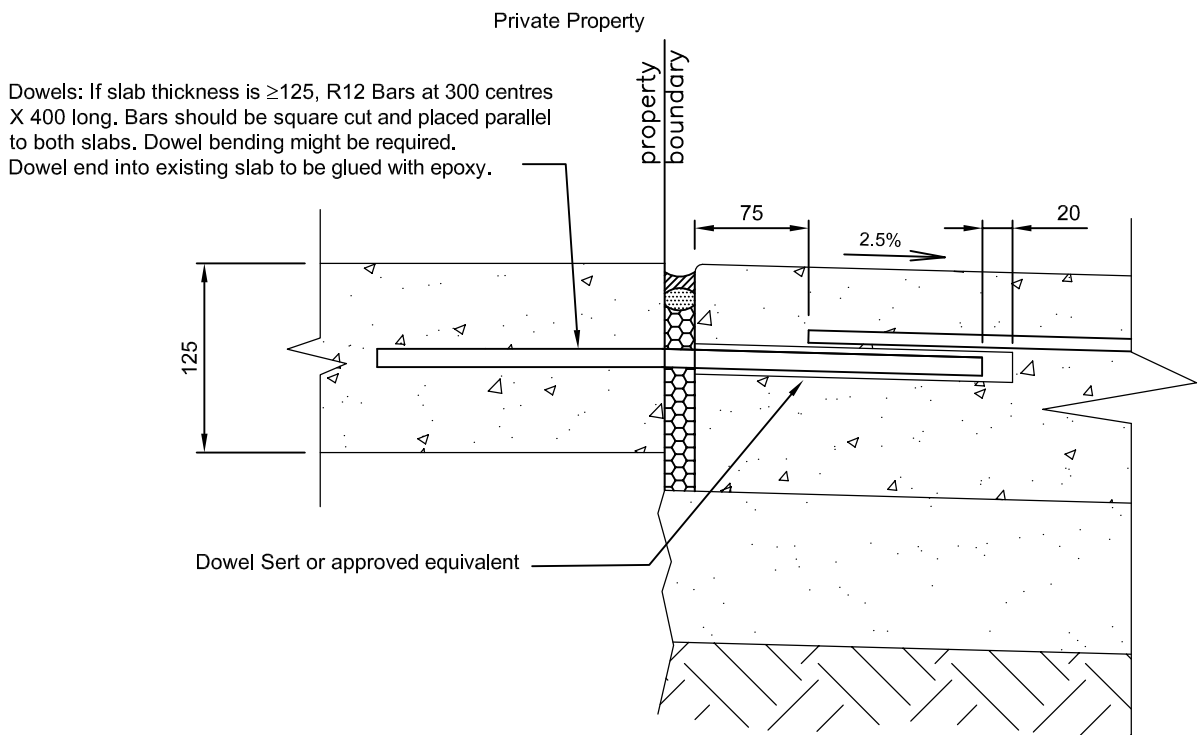


**Notes**


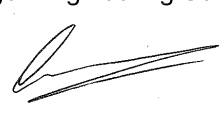
1. Sealant cavity to be min. 15mm wide x 20mm deep.
2. Distance between tool joints to be such that panel tend to be square or with a maximum ratio of 1: 1.4 eg. lane width=4m, tool joint spacing=3m



**Typical Induced Crack/Tooled Joint**



**Typical Doweled/Expansion Joint to abutting concrete slab with Thickness  $\geq 125$ mm**

 <p><b>Bayside</b> CITY COUNCIL</p>	Standard Drawing Title		Standard Drawing No.	Rev:
	<b>CONCRETE TYPICAL JOINT DETAILS</b>		<b>BCC102</b> Page 1 of 1	<b>A</b>
	Scale		Approved Manager Engineering Services	
<b>1:5</b>		 Date: 19-Dec-08		
		References to:		