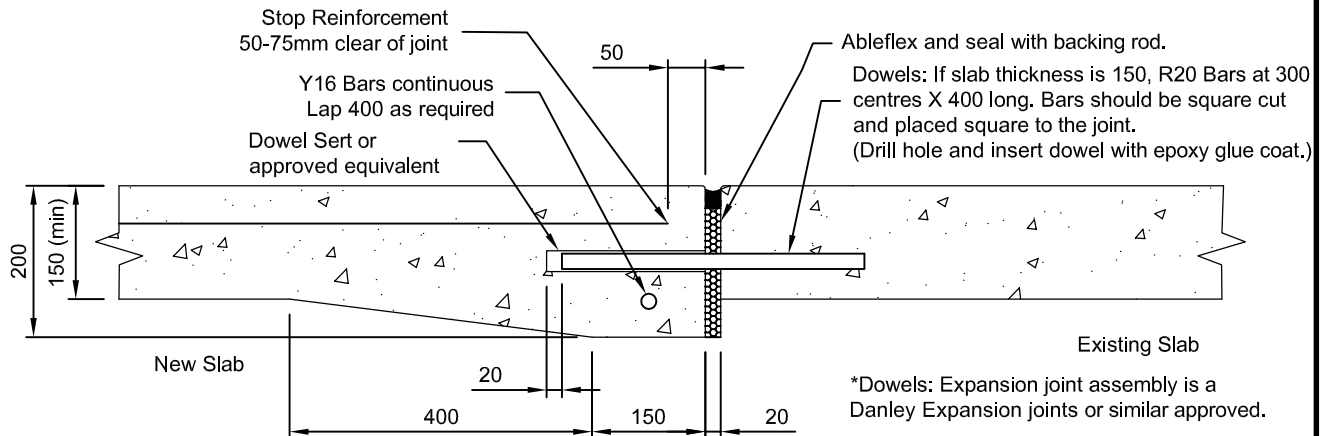
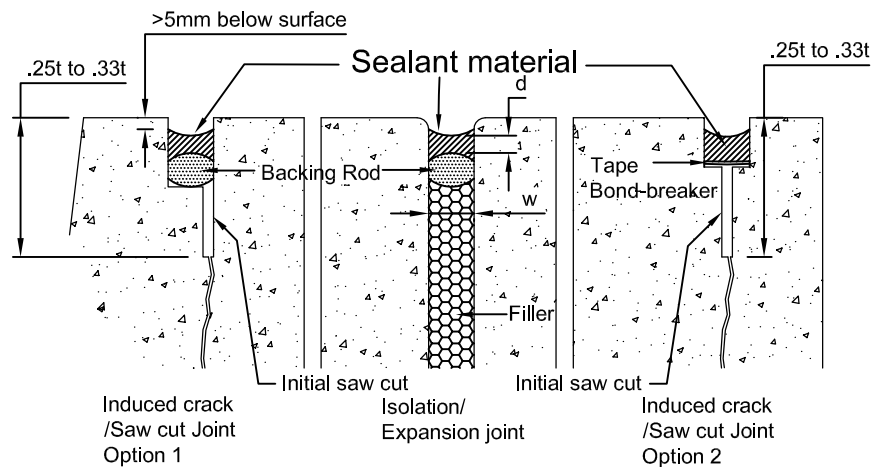


### Typical Expansion Joint (New to new)



### Typical Expansion Joint (New to existing)



Notes:  
 On Expansion joint if  $w \geq 12$  mm  $w=2d$  eg.  $w=20$ mm therefore  $d=10$ mm.  
 If  $w < 12$ mm  $w=d$  so if  $w=10$ mm  $d=10$ mm  
 Depth of saw cut to be 25% to 33% of t, being t=slab thickness,

### Typical Joints with Field Moulded Sealants



Standard Drawing Title

## CONCRETE TYPICAL JOINT DETAILS

Scale  
1:10, NTS

References to:

Standard Drawing No.

**BCC103**

Page 1 of 1

Rev:

**A**

Approved  
Manager Engineering Services

Date: 18-Dec-08