

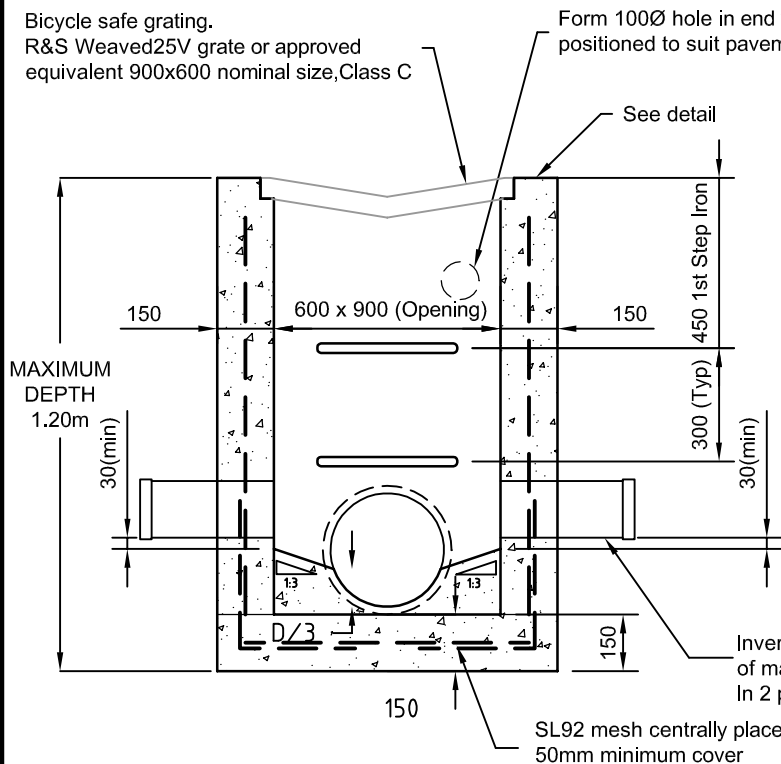
PLAN

NOTES

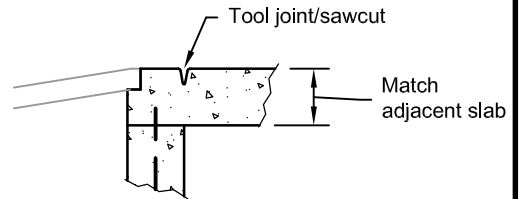
1. Use F92 reinforcement with 300mm minimum lap length and clear cover of 65mm. Corner return reinforcement may be fabric or equivalent bars.
2. Concrete strength to be 32mpa at 28 days.
3. Pits deeper than 1000mm shall be fitted with large (370mm) plastic coated galvanized mild steel step irons with threaded grip and large reflective patches.
4. Minimum fall across pit base to be 30mm
5. Use "V" grated pit Type 2 for all pits greater than 1.2m deep or where the pipe diameter exceeds 525mm dia.
6. Grout: 2 parts sand, 1 part cement and sufficient water to produce mix of suitable consistency.
7. All levels to be within +/-10mm of design.
8. Frames must have adequate anchorage to ensure that they do not come loose.
9. Concrete infill for cover and frame shall be N32 at 28 days with 10 max size aggregate. Tamp and pencil vibrate.
10. Pit may be precast if approved by Bayside City Council.
11. Precast units may be constructed to the manufacturers details. The design shall comply with the AS 5100 Bridge Design and the following additional requirements:-
 - Combined factored lateral pressure at any point at the ultimate limit state shall be not less than 25kPa
 - Adequate drainage shall be provided to pit walls to avoid hydrostatic pressure.
 - Vertical load 210 kn applied any where on pit.
 - Minimum reinforcement area shall be 150mm²/m.
 - Concrete shall be normal class N32 standard strength grade or higher complying with requirements of AS 1379 Exposure classifications up to and including B1.

Bicycle safe grating.
R&S Weaved 25V grate or approved equivalent 900x600 nominal size, Class C

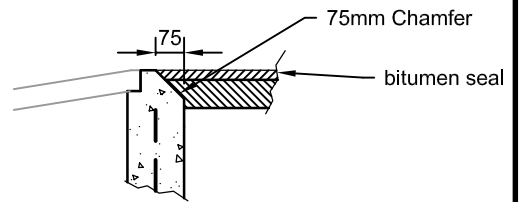
Form 100Ø hole in end walls positioned to suit pavement drains



SECTION A-A



Detail for Concrete Road



Detail for Bitumen Road



Drawing Title

**"V" GRATED PIT
TYPE 1**

Scale

1:20

References to:

Drawing No.

BCC514

Page 1 of 1

Rev:

A

Approved

Manager Engineering Services

Date:

19-Dec-08